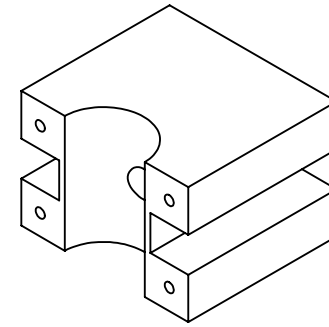
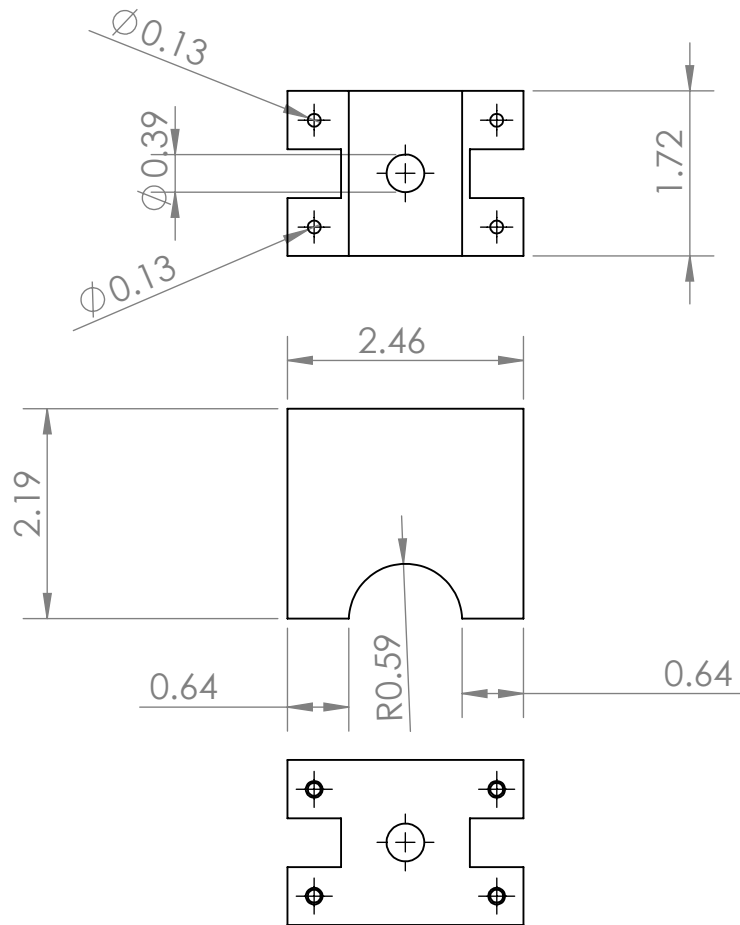


B



B

A

		UNLESS OTHERWISE SPECIFIED:		NAME	DATE	
		DIMENSIONS ARE IN INCHES	DRAWN			TITLE: Adaptor to plate
		TOLERANCES:	CHECKED			
		FRACTIONAL $\pm$	ENG APPR.			
		ANGULAR: MACH $\pm$ BEND $\pm$	MFG APPR.			
		TWO PLACE DECIMAL $\pm$	Q.A.			
		THREE PLACE DECIMAL $\pm$	COMMENTS:			
		INTERPRET GEOMETRIC TOLERANCING PER:				SIZE DWG. NO. REV
		MATERIAL				<b>Cam Mount.STEP</b>
	NEXT ASSY	USED ON				SCALE: 1:1 WEIGHT: SHEET 1 OF 1
	APPLICATION					
		DO NOT SCALE DRAWING				

A

**PROPRIETARY AND CONFIDENTIAL**  
THE INFORMATION CONTAINED IN THIS DRAWING IS THE SOLE PROPERTY OF <INSERT COMPANY NAME HERE>. ANY REPRODUCTION IN PART OR AS A WHOLE WITHOUT THE WRITTEN PERMISSION OF <INSERT COMPANY NAME HERE> IS PROHIBITED.

2

1